



## »» 矿山设备（制砂）系统 解决方案服务商

MINING EQUIPMENT (SAND MAKING) SYSTEM  
SOLUTIONS PROVIDER

[www.cementcrusher.com](http://www.cementcrusher.com)



### 河南省振源科技有限公司

Henan Zhenyuan Science & Technology Co.,Ltd.

Add: Xiaodian Industrial Park, Xinxiang, Henan

Tel: +86-373-3663336 +86-373-3663285

Fax: +86-373-3663296

Email: [info@cementcrusher.com](mailto:info@cementcrusher.com)

Website: [www.cementcrusher.com](http://www.cementcrusher.com)

### 河南省振源科技有限公司

Henan Zhenyuan Science & Technology Co.,Ltd.



专心·专注·专业  
ATTENTIVELY ABSORBED PROFESSIONAL



## 公司介绍



河南省振源科技有限公司，是专业从事矿用机械设备的国家级高新技术企业，主要产品有：移动破碎站、制砂机、洗砂机、各种破碎机、振动筛、给料机及相关配件等。产品广泛应用于矿山、碎石、制砂、选矿等行业，远销东南亚、南亚等地区。凭着质量过硬的产品和周到的服务，积累了良好的市场信誉，并获得了广大客户的信任和好评。

地处黄河之北岸，国家新乡经济技术开发区，占地面积260亩，建筑面积10.9万平米。公司现有员工690人，其中行业专家3名，高级技术人员80人，中级技术人员120人，公司总资产4.38亿元。

公司拥有科学的质量管理体系和先进的产品质量检测手段，在同行业率先通过了ISO9001质量管理体系认证，产品质量始终保持同行业领先水平。公司拥有三十余项国家专利，曾多次荣获国家、省部级科技奖。

以“不断创新、服务至上、笃守信誉”为企业宗旨；以“创世界一流产品”为己任。公司坚持以市场为导向，以顾客满意为目的，追求卓越绩效并持续改进，以一流的产品，一流的服务创一流的业绩。热烈欢迎各界人士精诚合作，共同创造辉煌的明天，实现和谐共赢！

## Company Introduction



Henan Zhenyuan Science & Technology Co.,Ltd. is a hi-tech enterprise specializing in manufacturing nonferrous metals and coal mining machine, Our main products include:crusher plant, sand making machine , sand washer, crusher, vibrating screen, vibrating feeder, which are widely used in coal, metallurgy, mine, electricity, chemical industry etc. Our products are exported to Southeast Asian countries, South Asian and other countries.We gained favorable comment and trust from customers with our high quality products and considerate service, winning buyer praise in the market.

Located on the north bank of the Yellow River, east of Xinxiang City,Our company occupies an area of 109,000.00 square meters, with 690 staffs, among which there are 3 specialists, 80 senior technicians and 120 middle class technicians, and capital asset ¥438.000.000.

We have scientific QC system and passed the ISO9001 quality control system, firstly among fellow companies. With advanced quality testing methods, our products in the industry has maintained the top level. More than 30 national patents have been awarded,and many science and technology prizes have been awarded by State and Provincial governments.

We abide by“ Unceasing innovation, excellent service, keeping reputation”, and always take the market as a guide, trying our best to satisfy customers, pursue super excellence and insist on continual improvement. To create prominent achievement with first-class products and first-class service. We are sincerely hope to cooperate with friends from home and abroad to create a glorious tomorrow and realize our common aim of “Harmony and Win-win”!



## IMPROVER THE QUALITY SERVE THE WORLD

With high quality products and considerate service, our products have been exported to Southeast Asia, South Asia and other countries and regions, and continue to extend to the rest of the world in Africa, Europe, also establishing longterm and full cooperation, common development, hand in hand and winwin. We will always adhere to the ideas, enthusiastic attitude and integrity is reflected in presale, sale, aftersale services centers, and foreign sales service centers, technical centers, multilevel, multinetwork of fast and convenient service network, the product is worth the additional value to maximize, to show the world China power.

## 提升品质 服务全球

凭着质量过硬的产品和周到的服务，公司产品已经远销东南亚、南亚等国家和地区，并不断延伸至非洲、欧洲等世界各地，建立长期、全面的合作关系，共同发展，携手共赢。我们将坚持一贯的理念，以热情和诚信的态度体现于售前、售中、售后服务全过程，驻外销售服务中心、技术中心等多层次、多网点的快速便捷服务网络，使产品附加值得到最大化，向世界展示中国力量。



印度尼西亚客户



意大利客户



俄罗斯客户



越南客户



土耳其客户



意大利·达涅利集团客户



阿尔及利亚客户



## 资质荣誉 Qualification Honors



## 加工设备 Product Equipments



龙门镗床  
Gantry Boring Machine

数显落地铣镗床  
Significant Number Of Boring And Milling Machine

抛丸机  
Shot Blasting Machine



大型立车  
Heavy Duty Vertical Lathe

大型卧式车床  
Large Horizontal Lathe

大型热处理设备  
Large-scale Heat Treatment Equipment



数控加工区  
CNC Processing Area

龙门铣床  
Gantry Boring And

数控等离子切割机  
NC Plasma Cutting Machine

## PXJ高效细碎机

### PXJ HIGH-EFFICIENCY FINE CRUSHER

高效细碎机是我公司多位工程师吸取行业先进技术，结合国内外水泥行业、矿山、选矿、建材等部门的具体工作条件，研制的中细物料破碎机。其融合了锤破和反击破的优点，大大提高了工作效率，降低能耗。高效细碎机运行性能稳定可靠，工艺简化，结构简单，维修方便，生产能力大，锤头使用寿命长。在中软物料破碎领域优势显著。

High-efficiency Fine Crusher is designed by our engineers based on introducing advanced technology on this field and combining with different working conditions of international cement industry, mining, beneficiation, building material and so on. By taking the advantages of hammer crusher and Impact crusher, this machine can highly improve working efficiency and reduce energy consumption. High-efficiency Fine Crusher has significant advantage in the field of crushing soft material features reliable operation, simple structure, convenient maintenance, high capacity, long service life.



### 规格与性能参数表 / SPECIFICATION AND TECHNICAL PARAMETER

型号 Model	进料尺寸 (mm) Feed Opening	进料口尺寸 (mm) Feeding Size	出料粒度 (mm) Output Size	出料缝调节宽度 (mm) Adjustable Size of Discharge Opening	产量 (t/h) Capacity	配备功率 (kw) Power
PXJ800×400	<120	400×185	<5	5-20	20-45	37-45
PXJ 800×600	<180	500×250	<5	5-20	35-55	45-55
PXJ 800×800	<180	550×330	<5	5-20	35-65	45-55
PXJ 1010×1010	<180	1000×350	<5	5-20	45-75	55-75
PXJ 1200×1000	<180	1200×400	<5	5-20	70-110	90-110
PXJ 1200×1200	<180	1200×450	<5	5-20	90-120	110-132
PXJ 1400×1400	<190	1500×500	<5	5-20	100-150	160
PXJ 1600×1600	<190	1600×550	<5	5-20	170-250	250
PXJ 1800×1800	<190	1800×800	<5	5-20	250-310	315

## HPX多缸液压圆锥破碎机

### HPX MULTICYLINDER HYDRAULIC CONE CRUSHER

HPX系列多缸液压圆锥式破碎机主要用于砂石加工中的二级破碎或三级破碎环节。该机在破碎硬度较大的物料以及细碎方面具有独特优势，从而广泛地应用于河卵石、花岗岩、玄武岩等中硬物料的破碎。

HPX系列多缸液压圆锥式破碎机是振源科技在多年的破碎机研发经验基础上，结合国内外先进技术，经过几代产品的研发和应用，推出的新一代高效液压圆锥式破碎机。在传统多缸液压圆锥式破碎机主轴固定、偏心套绕主轴旋转结构和层压破碎原理的基础上，对设备结构进行了突破性的优化，显著提升了设备的使用性能和破碎能力。专业设计的液压润滑系统，保证设备可靠运转的同时，操作控制更智能、人性化。

HPX series cone crusher integrated crushing speed, stroke and crushing chamber ideally, not only improving the capacity and quality, but also expanding the range of applications, from limestone to iron ore, roadbed stone to manufactured sand and small mobile crushing station. HPX series cone crusher shows the excellent crushing capacity in secondary crushing and fine crushing from rock with high hardness to conventional rock.

HPX series cone crusher is the latest generation hydraulic cone crusher based on Zhenyuan Technology several years and several generations product experience on R&D, especially HPX series cone crusher which technology is reliable demonstrated by testing, integrating the advanced technology at home and abroad. HPX series cone crusher is smarter and more humanized in structure, operation and maintenance, etc.



### 性能特点 / PERFORMANCE FEATURE

- 结构升级 效率更高：**设备在主轴固定、偏心套绕主轴旋转的结构基础上，进一步优化了传动部件和润滑密封结构设计。设备承载能力强，装机功率达到同机型行业内最大，体积小、效率高、噪音低。
- 处理量大：**破碎冲程、破碎速度以及破碎腔型的完美组合设计，比传统圆锥式破碎机的产量提高35%-60%。
- 层压破碎 出料粒形好：**利用层压破碎原理对物料进行破碎，通过对设备和腔型优化，提高了层压破碎效率，破碎效率高，易损件磨损低，成品粒形呈立方体，细粒级含量高。提升成品质量，降低设备和整个系统的生产成本。
- 全液压操控 准确可靠：**设备从清腔、过载保护到调整及锁紧，全部采用液压操作。工作稳定可靠，操作方便。液压系统结构全面优化升级，调节控制更准确，自动保护反应更灵敏。
- 破碎比高：**HPX系列多缸液压圆锥式破碎机在物料硬度较大，成品粒度要求较小的情况下，具有破碎比高的显著优势。（破碎比曲线图）
- 多腔型转换 一机多用：**配置了多个中碎和细碎腔型，仅需更换相应腔型衬板等少量零件，便可在腔型之间转换。结合层压破碎原理，更好的满足中碎和细碎工艺需求，实现了一机多用。

1. Upgraded structure and high efficiency. Transmission parts and the structure of lubrication seal are optimized based on the structure of fixed main shaft and eccentric shaft rotates around main shaft. With the features of stronger loading capacity, this machine has the biggest installed power, smaller size, higher efficiency and lower noise in the same model of this industry.

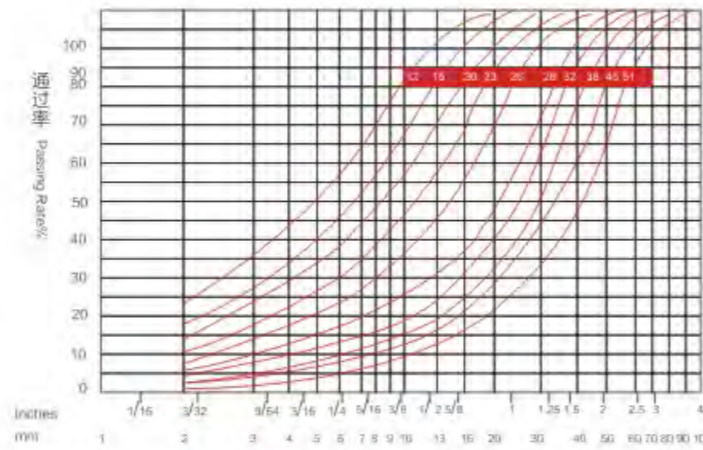
2. Large capacity. The perfect combination of design in crushing stroke, crushing speed and crushing chamber, increased by 35% to 60% higher than production in the traditional cone crusher.

3. Laminated crushing brings good product shape. The materials are crushed by unique laminated crushing principle, and the efficiency is higher because of the optimized crushing cavity. Meanwhile high crushing efficiency brings lower consumption of vulnerable part, cubic finished product shape, and high content fine-grained product. In this situation, it improves the quality of finished product and decreases the cost of equipment and whole system.

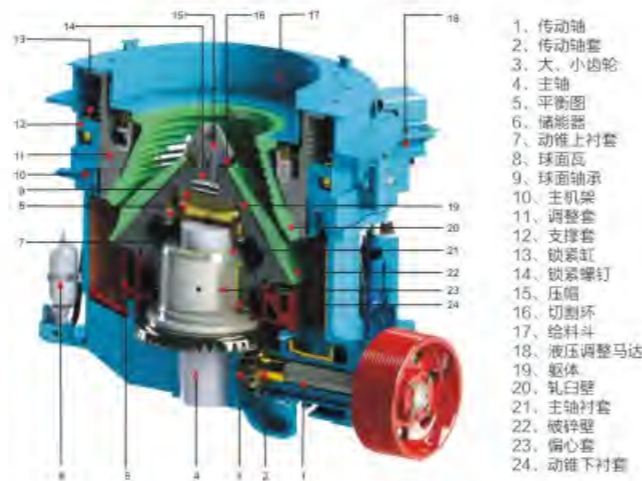
4. Full hydraulic control, accurate and reliable. Equipment all uses hydraulically operated from clear cavity, overload protection and adjust and lock. Working stable, reliable, easy to operate. Comprehensive structural optimization and upgrading of the hydraulic system, regulation control is more accurate, automatic protection is more sensitive.

5. High crushing ratio. HPX multicylinder hydraulic cone crusher has the prominent advantages of high crushing ratio in the condition of greater hardness material and small product size. (crushing ratio curve chart)

6. Multi-cavity type conversion, multiple uses in one machine. Configuring multiple the intermediate and fine crushing cavities, only replace the corresponding cavity liner and other few parts, the machine can convert between the crushing cavities. Combined with laminated crushing principle, the machine better meet the needs of intermediate and fine crushing processes, achieve a multi-purpose machine.



注：粒度分布曲线。曲线上的数字为排料口尺寸；粒度和生产能力与给料粒度、破碎腔型、物料可碎性、物料洁净度、水分含量等因素有关。(Note: size distribution curve. The number on the curve is output size. Size and capacity is connected with material feeding size, crushing chamber, material crushability, material cleanliness, and moisture content and so on.)



## 工作原理 /WORKING PRINCIPLE

HPX系列多缸液压圆锥式破碎机工作时，电机通过皮带轮和三角带带动设备传动轴转动，传动轴通过伞状锥齿轮啮合带动偏心套绕主轴转动，偏心套驱动动锥部位做旋摆运动，连续不断地对物料进行挤压、搓碾。物料受到多个方向的作用力，沿着自身纹理破碎并被打磨，形成抗压强度较高的建筑骨料，符合出料要求的从破碎壁旋摆间隙处排出，其余物料继续破碎，直至达到最终要求。

The whole working process of HPX multi-cylinder hydraulic cone crusher is that motor drives the rotation of transmission shaft by belt pulley and v-belts, then transmission shaft drives the rotation of eccentric sleeve around the main shaft through the spiral bevel gear, breaking the materials continuously. The material is crushed from all directions, crushed and ground according to their own grain, which formed the high compressive strength building aggregates. The materials that meet the requirements discharged from the crushing wall, and the remaining material continues to be crushed until it becomes standard product.

## 规格与性能参数表 /SPECIFICATION AND TECHNICAL PARAMETER

型号 Model	破碎腔型 Cavity Type	标准型 Standard Type		短头型 Short Type		功率(kw) Power	生产能力(t/h) Capacity
		给料口尺寸 (mm) Inlet Size	最小排料口 (mm) Min. Outlet Size	给料口尺寸 (mm) Inlet Size	最小排料口 (mm) Min. Outlet Size		
HPX200	超粗 Extra Coarse					132-200	90-250
	粗型 Coarse	185	19	76	10		
	中型 Medium	125	17	54	6		
	细型 Fine	95	13	23	6		
	超细 Extra Fine			10	5		
HPX300	超粗 Extra Coarse	230	25			180-250	115-440
	粗型 Coarse	210	20	75	10		
	中型 Medium	150	15	50	8		
	细型 Fine	105	10	20	6		
	超细 Extra Fine			20	6		
HPX400	超粗 Extra Coarse	295	30			280-355	140-630
	粗型 Coarse	250	25	90	10		
	中型 Medium	195	20	50	8		
	细型 Fine	110	14	40	6		
	超细 Extra Fine			30	6		
HPX500	超粗 Extra Coarse	330	30			355-450	175-790
	粗型 Coarse	285	25	90	13		
	中型 Medium	200	20	55	10		
	细型 Fine	133	16	40	8		
	超细 Extra Fine			35	6		
HPX800	超粗 Extra Coarse	353	32			550-630	260-1200
	粗型 Coarse	297	32	155	13		
	中型 Medium	267	25	92	10		
	细型 Fine	219	16	33	6		
	超细 Extra Fine						

### 闭口边排料口 (mm) Discharge Opening (mm)

型号 Model	吨/小时 t/h	10mm	13mm	16mm	19mm	22mm	25mm	32mm	38mm	45mm	51mm
HPX200	t/h	90-120	120-150	140-180	150-190	160-200	170-220	190-235	210-250		
HPX300	t/h	115-140	130-185	180-220	200-240	220-260	230-280	250-320	300-380	350-440	
HPX400	t/h	140-175	185-230	225-280	255-320	275-345	295-370	325-430	360-490	410-560	465-630
HPX500	t/h	175-220	230-290	280-350	320-400	345-430	365-455	405-535	445-605	510-700	580-790
HPX800	t/h	260-335	325-425	385-500	435-545	470-600	495-730	545-800	600-950	690-1050	785-1200